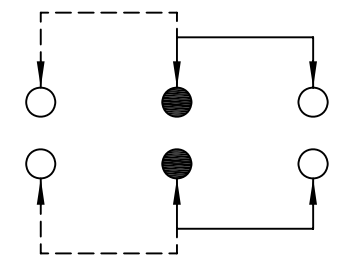
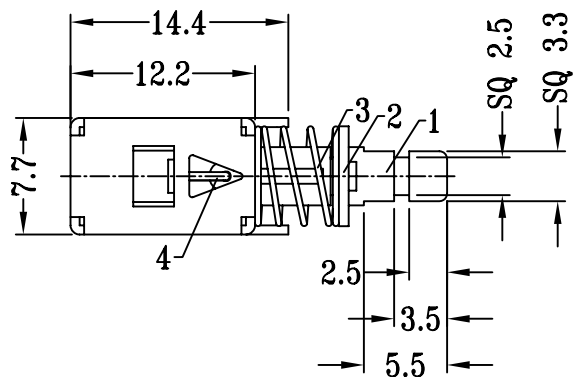
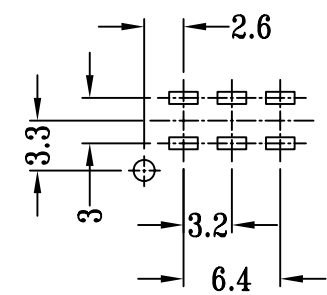
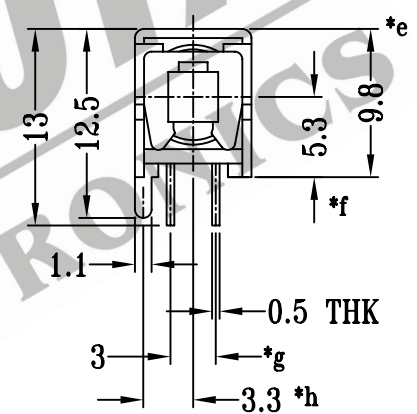
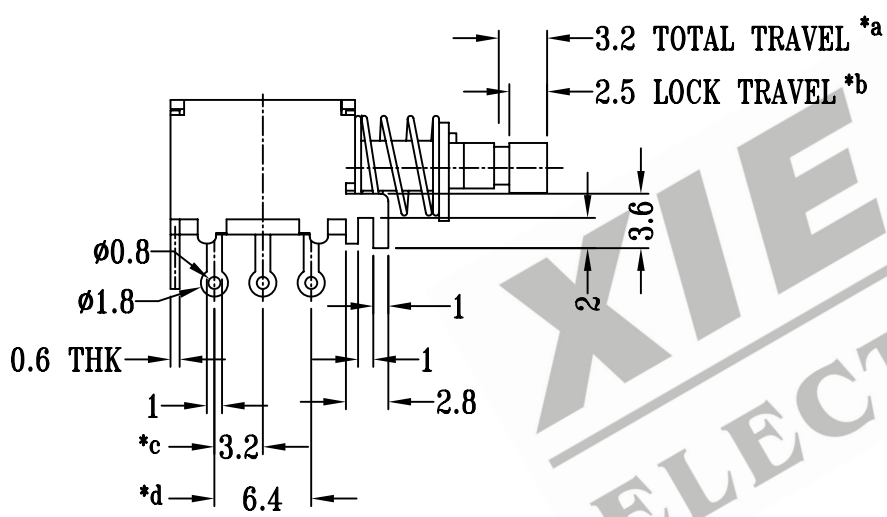


CAD FILE:



SCHMATIC (NON-SHORTING)



P.C.B LAYOUT

NO.	PARTS	MATERIALS	Q'TY	FINISH
9	CONTACT CLIP	PBS STRIP	2	Ag PLATED
8	TERMINAL	BRASS STRIP	6	Ag PLATED OVER Ni PLATED
7	BASE	PHENOLIC RESIN	1	NATURAL
6	FRAME	STEEL STRIP	1	Ni PLATED
5	SPRING PLATE	PBS STRIP	1	NATURAL
4	LOCK NEEDLE	PBS WIRE	1	NATURAL
3	SPRING	STEEL WIRE	1	Ni PLATED
2	BLOCK	STEEL STRIP	1	Ni PLATED
1	KNOB	POM	1	BLACK

TOLERANCE UNLESS SPECIFIED		SHENZHEN XIEJIA ELECTRONICS CO.,LTD.		
WITHIN: 1.5±0.1mm OVER: 1.5±0.2mm		ISSUE	DATE	DESCRIPTIONS OF REVISION
TITLE : PUSH SWITCH		UNIT : mm	DRWG NO.: XJ-DR-PS22F21-00	
MODEL: PS-22F21 (LOCKED)		SCALE: 2 : 1	DWN. ZHOUYU	2005-7-31
ALL MATERIALS MUST BE COMPLIANT TO ROHS		APPD. KANGXINAN	CHK'D FANGYING	2005-7-31
			APPD. KANGXINAN	2005-7-31

注:带"*"表示关键尺寸(8个)